



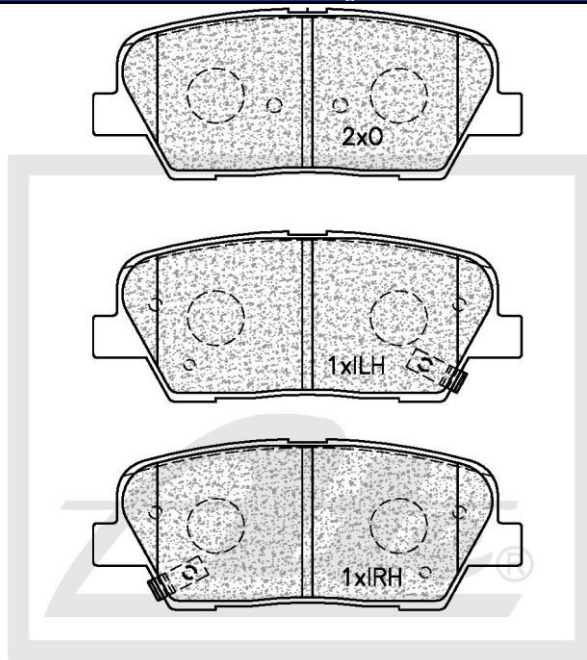
TECHNICAL BULLETIN
16 APRIL 2019

ATE1329

(ATE and Teves are registered trademarks of Continental Teves AG & Co oHG and/or its affiliates in Frankfurt Germany and other Countries)

NEW PART NUMBER UPDATE

Drawing



SUPPLIED WITH 2 X WEAR INDICATOR PADS PER SET
NOTE : L + R HANDED



Details of New Part

BRAKE PAD - REAR

Brake Pad Sizes:

Length - 117.0mm

Height - 48.5mm

Thickness - 15.0mm

Box Dimensions

Weight - 1100g

L - 144mm

H - 66mm

W - 76mm

Barcode



Vehicle Applications

HYUNDAI SANTA FE II(CM), III(DM), IV(TM), 2005-;
KIA SORENTO II (XM), 2009-

Fr. Position Rr.



CALL NOW TO ORDER YOUR STOCK !!!

(011) 898 1800

Picture(s) of vehicle(s) that this part is suitable for:



www.ate.co.za

"Single Minded about YOUR Safety"